



- [Introduction](#)
- [Technical Specifications](#)
- [Key components](#)
- [Control Panel](#)
- [Touch Screen](#)
- [Operating instructions](#)
- [Safety](#)
- [Support](#)

## Introduction

Dear Customer,

Thank you for purchasing our FX5Pro® product. Welcome to our community of professional users, where we always offer the best solutions and advantages for non-invasive repair.

*© 2025 FugaExpert Solutions, S.L. All rights reserved. The information contained in this manual is for informational and technical purposes only. FugaExpert Solutions, S.L. is not responsible for any damage or harm resulting from improper use, incorrect installation, or inadequate maintenance of the FX5PRO COMPAQ equipment. The manufacturer reserves the right to make changes or improvements to the product without prior notice.*



The FX5PRO COMPAQ is a compact and versatile resin projection machine designed for the rehabilitation of pipes without the need for excavation. This equipment allows micro-resin coating on pipelines up to two floors high, utilizing an advanced guide push and rotation system for precise application.

This manual provides detailed information on the correct operation, maintenance, and safety recommendations to ensure optimal performance and durability of the FX5PRO COMPAQ.

The **FX5COMPAQ Machine** is the most versatile version of the **FX5Pro® Series**.

Featuring all the capabilities of its larger counterpart in a more compact body, it includes a **push system for component projection** and a **guide rotation system** on a **Ø46 cm diameter reel**, capable of holding guides up to **10 meters in length**.

This more compact system operates with **20 bar push pressure**, making it the perfect ally for **micro-resin coating** and **medium-length pipe rehabilitation**.

*© 2025 FugaExpert Solutions, S.L. All rights reserved. The information contained in this manual is for informational and technical purposes only. FugaExpert Solutions, S.L. is not responsible for any damage or harm resulting from improper use, incorrect installation, or inadequate maintenance of the FX5PRO COMPAQ equipment. The manufacturer reserves the right to make changes or improvements to the product without prior notice.*



Thanks to its **integrated Ø46 cm reel**, which supports guides of up to **Ø8 mm in diameter and 10 meters in length**, the **FX5COMPAQ Machine** offers **unmatched efficiency and autonomy levels**. A **compact and functional all-in-one solution**, designed to meet any demand for **non-invasive pipe repairs**.

Its **bottle holder system**, compatible with **metal bottles**, allows the use of various products through its push mechanism, ensuring **full adaptability to any challenge**.

#### **FX5COMPAQ includes:**

- Ultra-flexible guide, Ø8mm diameter - 10 linear meters.
- x1 Metal bottle holder with a 2.5Kg capacity, 1:1 ratio.
- x4 Refillable metal bottles, 2.5Kg capacity, 1:1 ratio (Ø84mm).
- x10 Ø12mm connectors for hose connection.
- x1 Set of (x2) Ø12mm hydraulic hoses, 2 meters in length.
- x1 Dual-motor drying gun.
- x2 Recharge pumps for metal bottles.
- Repair warranty up to 3 years.
- Specialized technical support.
- Instruction manual.

## **Technical Specifications**

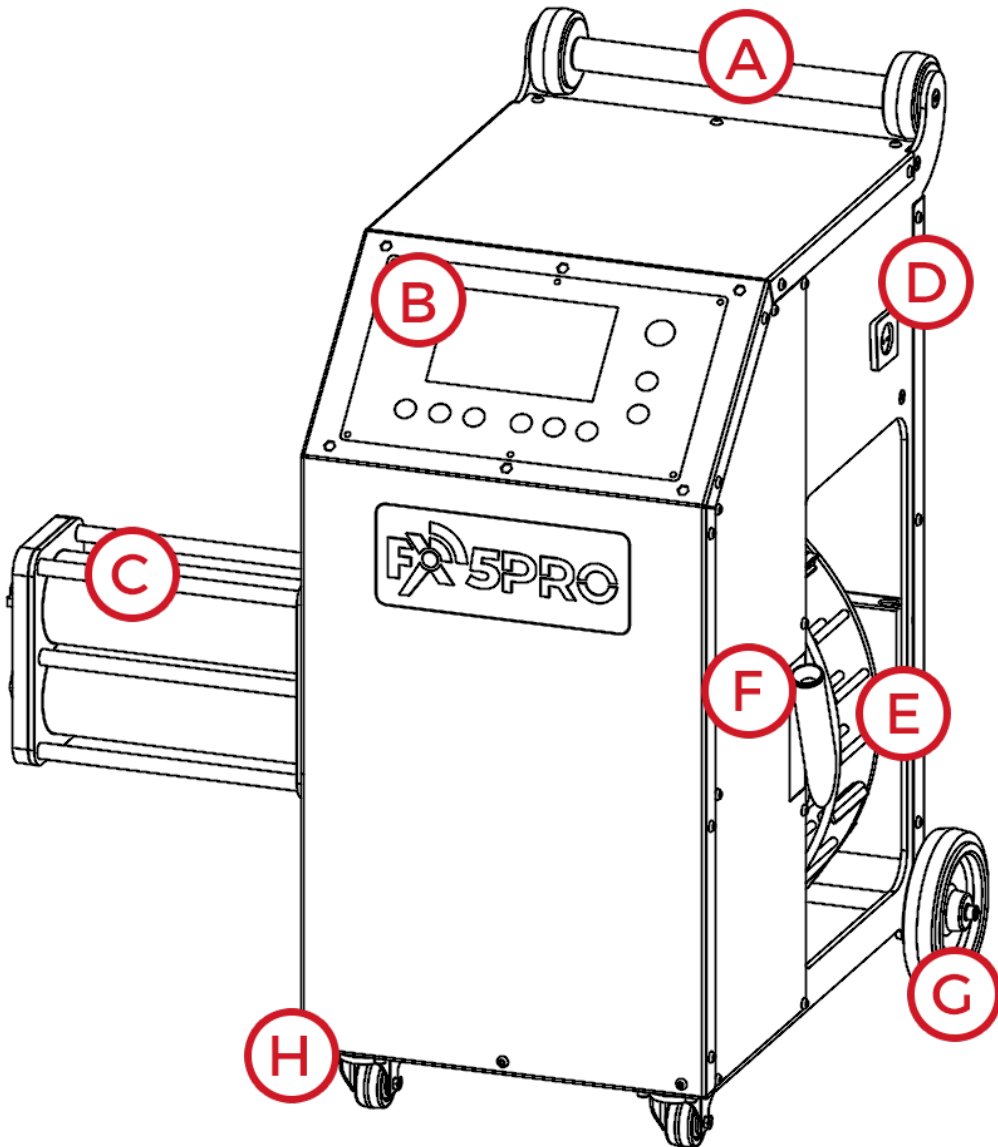
Designed to deliver maximum efficiency and safety, this machine combines a robust structure with advanced technology to ensure optimal performance in various applications. Its compact and durable design facilitates handling, while its adjustment and control system provides precise operation, adaptable to different needs.

Equipped with features that enhance performance and user safety, it offers an intuitive and reliable user experience, making it ideal for demanding environments where precision and reliability are essential.

- Machine weight only: 54 Kg
- Dimensions: 40x90x53 cm
- Design materials: Metal (steel, aluminum, duralumin, other alloys)
- 46 cm diameter reel, 10 cm depth. Up to 10 linear meters.
- Compatible with bottle holders and 2.5Kg metal bottles.
- Adjustable push speed and direction.
- Adjustable guide rotation speed.
- High-performance 1100W air generator for projection.
- Voltage: 230V
- Emergency stop device.
- Anti-failure stop sensor (smart stop).
- Scratch-resistant PVC transport wheels with 180° rotation.
- Noise level: ±46dB

*© 2025 FugaExpert Solutions, S.L. All rights reserved. The information contained in this manual is for informational and technical purposes only. FugaExpert Solutions, S.L. is not responsible for any damage or harm resulting from improper use, incorrect installation, or inadequate maintenance of the FX5PRO COMPAQ equipment. The manufacturer reserves the right to make changes or improvements to the product without prior notice.*

## Key components



- A- Metal support handle with rubber wheels for tilting.
- B - Control panel with digital touch screen.
- C - Metal bottle holder.
- D - Additional 220V power connector.
- E - Reel with a capacity for 10-meter Ø8mm guides.
- F - Guide holding support.
- G - Scratch-resistant rear PVC wheels.
- H - 360° rotating front wheels.

© 2025 FugaExpert Solutions, S.L. All rights reserved. The information contained in this manual is for informational and technical purposes only. FugaExpert Solutions, S.L. is not responsible for any damage or harm resulting from improper use, incorrect installation, or inadequate maintenance of the FX5PRO COMPACT equipment. The manufacturer reserves the right to make changes or improvements to the product without prior notice.

## Control Panel

You can fully control the machine from the control panel manually and partially via the touch screen. The Emergency Stop button is available only manually via a physical button.



1. EMERGENCY BUTTON: Press this button to perform an emergency stop of the machine.
  2. POWER BUTTON: Press to turn on the machine.
  3. SHUTDOWN BUTTON: Press to completely turn off the machine.
  4. BOTTLE ADVANCE/STOP BUTTON: Press to start the bottle advancement process. Press again to stop it.
  5. SPEED CONTROL BUTTON (ADVANCE/REVERSE):\*\* Turn the potentiometer clockwise to increase the bottle advance/reverse speed. Turn counterclockwise to decrease it.
  6. BOTTLE REVERSE/STOP BUTTON: Press to start the bottle reverse process. Press again to stop it.
  7. GUIDE ROTATION BUTTON: Press once to start guide rotation. Press again to stop it.
  8. GUIDE ROTATION SPEED BUTTON: Turn the potentiometer clockwise to increase the guide rotation speed. Turn counterclockwise to decrease it.
  9. TOUCH SCREEN
  10. QR: Link to documentation.
- AIR GENERATOR ON/OFF: Press "ON" to turn on the air generator. Open the valves to control airflow. Press "OFF" to turn it off and close the valves.

## Touch Screen

From the control panel's touch screen, you can partially control the machine's functions. Only the Emergency Stop button is available manually via a physical button.

### LANGUAGE SELECTION

When you turn on the machine, the touch screen will start automatically. After the startup screen, you can select the display language (Spanish or English).



### DIGITAL CONTROL PANEL (IDLE MODE)

Once the language is selected, the digital control panel will enter idle mode. In this screen, the movement and rotation systems will be off.



### DIGITAL CONTROL PANEL (ACTIVE MODE)

When any movement or rotation system is activated, this section will illuminate, indicating the system is running.



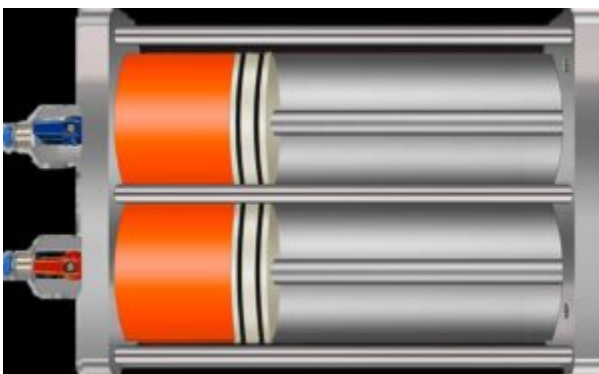
#### ON-SCREEN INFORMATION

The screen will display progress and speed control of the bottle movement and guide rotation. Additionally, a safety indicator will notify if the bottles are under excessive strain.

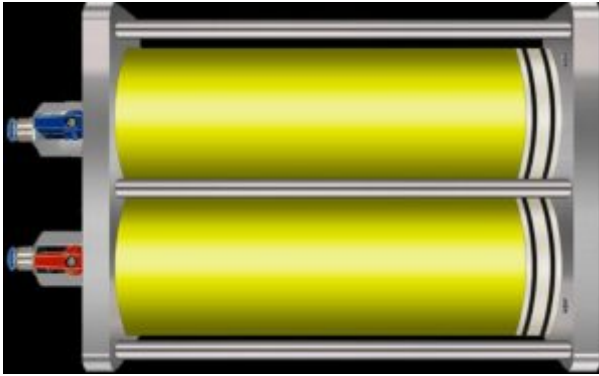
#### Empty bottles



#### Only 25% capacity remaining



#### 100% full bottles



Safety Indicator



## Operating instructions

### Step 1: Guide Assembly

Measure the guide length according to the sheath diameter (supports up to Ø8 mm). Secure one end of the guide to the reel using the FX5Pro safety clamp. Carefully wind the guide onto the reel in an orderly manner, holding the other end securely.

### Step 2: Bottle Holder Installation

Attach the bottle holder to the designated slots on the left side of the machine and secure it with the appropriate tool. Ensure the machine's pistons are fully retracted before installing the bottle holder.

### Step 3: Inserting Metal Bottles

Insert the pre-filled metal bottles into the holder, ensuring the valves are closed to prevent leaks. Prepare the hoses for product expulsion.

### Step 4: Initialization

Plug the machine into a 220V power source and press the ON button on the control panel. Select the desired language and press confirm to begin.

### Step 5: Guide Rotation

Press the START button on the control panel or touch screen under the "ROTATION" section to start the guide rotation. Adjust the rotation speed as needed. Press STOP to halt rotation.

### Step 6: Bottle Advance & Reverse

Press the START/STOP button on the control panel or touch screen under the "CARTRIDGE" section



to begin advancing or reversing the bottle holder.

### Step 7: Machine Shutdown

Press OFF to turn off the machine completely, then disconnect it from the power source.

## Safety

- The FX5PRO COMPAQ must be operated only by **qualified personnel** trained in its use.
- Always wear **protective equipment**, including safety goggles, gloves, and protective footwear.
- Do not use the machine in **extreme temperatures** exceeding +90°C or below -15°C.
- Avoid placing **tools or objects** on top of the machine while in operation.
- Ensure that **bottles are correctly secured** before activating the system.
- Never attempt to manipulate the **internal components or electrical system** while the machine is powered on.

## Support

For maintenance and usage support of FX5Pro□ systems, contact us:

Website: [fx5pro.com](http://fx5pro.com)

Technical Support Phone: +34 692870985

Email: [soporte@fx5pro.com](mailto:soporte@fx5pro.com)

Address: Calle Numa, 23. CP: 41089 Montequinto, Sevilla, Spain.

*© 2025 FugaExpert Solutions, S.L. All rights reserved. The information contained in this manual is for informational and technical purposes only. FugaExpert Solutions, S.L. is not responsible for any damage or harm resulting from improper use, incorrect installation, or inadequate maintenance of the FX5PRO COMPAQ equipment. The manufacturer reserves the right to make changes or improvements to the product without prior notice.*